



SEM 658C

**WORLD CLASS LEGACY
TECHNOLOGY**

SEM C Series Wheel Loader



Featured machines in photos may include additional equipments

SHANDONG SEM MACHINERY CO., LTD.
A CATERPILLAR COMPANY

SEM 658C SPECIFICATIONS

Main Specifications

Rated Load Capacity	5,000 kg
Operating Weight	17000Kg
Bucket Capacities	3.0-4.5 m ³
Max. Grade Ability (°)	30°
Overall Dimension L*W*H (mm)	8176x3068x3440

Engine

Rated Gross Power	162 kW @2200 rpm
Model	SDEC SC11CB 220
Bore	120.65mm
Stroke	152.4mm
Displacement	10.45L
Peak Torque	912Nm

Operating Specifications

Max. Rim-Pull	154KN
Breakout Force	168 kN

Hydraulic System

Pilot Control

Pump displacement-Implement Pump	97 mL/rev
System Pressure Setting	19 MPa
Hydraulic Cycle Time:	
Raise	5.49s
Dump	0.9s
Lower, (Empty, Float Down)	3.79s
Total	10.2s

Steering

Steering Angle Left/Right	38°
Minimum Turning Radius Over Rear Tire	6159 mm
Minimum Turning Radius Over Bucket	6930 mm

Axle

Brand	SEM SI28
Front	Fixed with Wet Brake
Rear	Trunnion Mounted Axle with Wet Brake
Maximum Single - Wheel Rise and Fall	Oscillating ± 12°

Brake System

Service Brake:	In Board Wet Brake
Parking Brake:	Drum Type Shoe Brake , Spring Applied & Air Released

Transmission

SEM 160A

Type	Countershaft	Power shift
Travel Speed:	I	II
Forward	6.9km/hr	12.4km/hr
Reverse	6.9km/hr	12.4km/hr
	III	IV
Forward	21.8km/hr	34km/hr
Reverse	21.8km/hr	

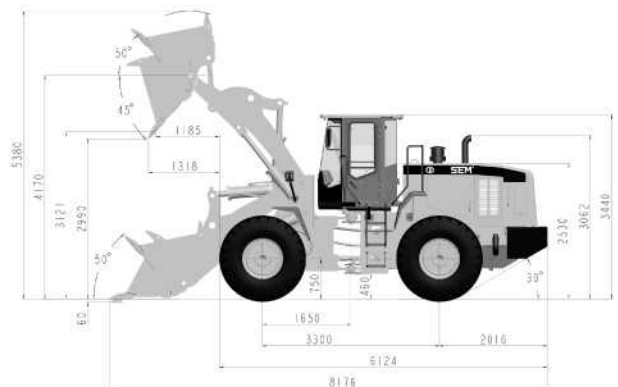
Service Refill Capacities

Fuel tank	290L
Cooling System	50 L
Engine Lubricating Oil	27.5L
Oil for Converter and Gear Box	60 L
Differentials and Final Drives:	
Front	40 L
Rear	35 L
Hydraulic Tank	230 L

Tires

Size	23.5-25
Type	Bias
Layer	16
Textured Type	L3/E3
Air Pressure	Front 392kPa / Rear 342 kPa

Arrangement Drawing



Design and specifications are subject to change without notice
The illustrations may not show the current version of the machine

SHANDONG SEM MACHINERY CO., LTD

A CATERPILLAR COMPANY

Add: Qingzhou City, Shandong Province, P.R.China
P.C : 262500
Tel :+ 86-536-3818603
Fax :+ 86-536-3818072
www.sem machinery.cn